

leanXcam - the lean Linux camera

Sheet 2: BlackFin DSP ADSP-BF537, JTAG, Reset, Power

Sheet 3: SDRAM, FLASH, microSD Card Conn., DSP Bus Interface


Sheet 4: CMOS Image Sensor

Sheet 5: Ethernet

Sheet 6: Digital I/O's

Sheet 7: Power Supply, UART

Copyright (C) Supercomputing Systems AG
Licensing terms: please contact info@scs-vision.ch

 Super computing systems

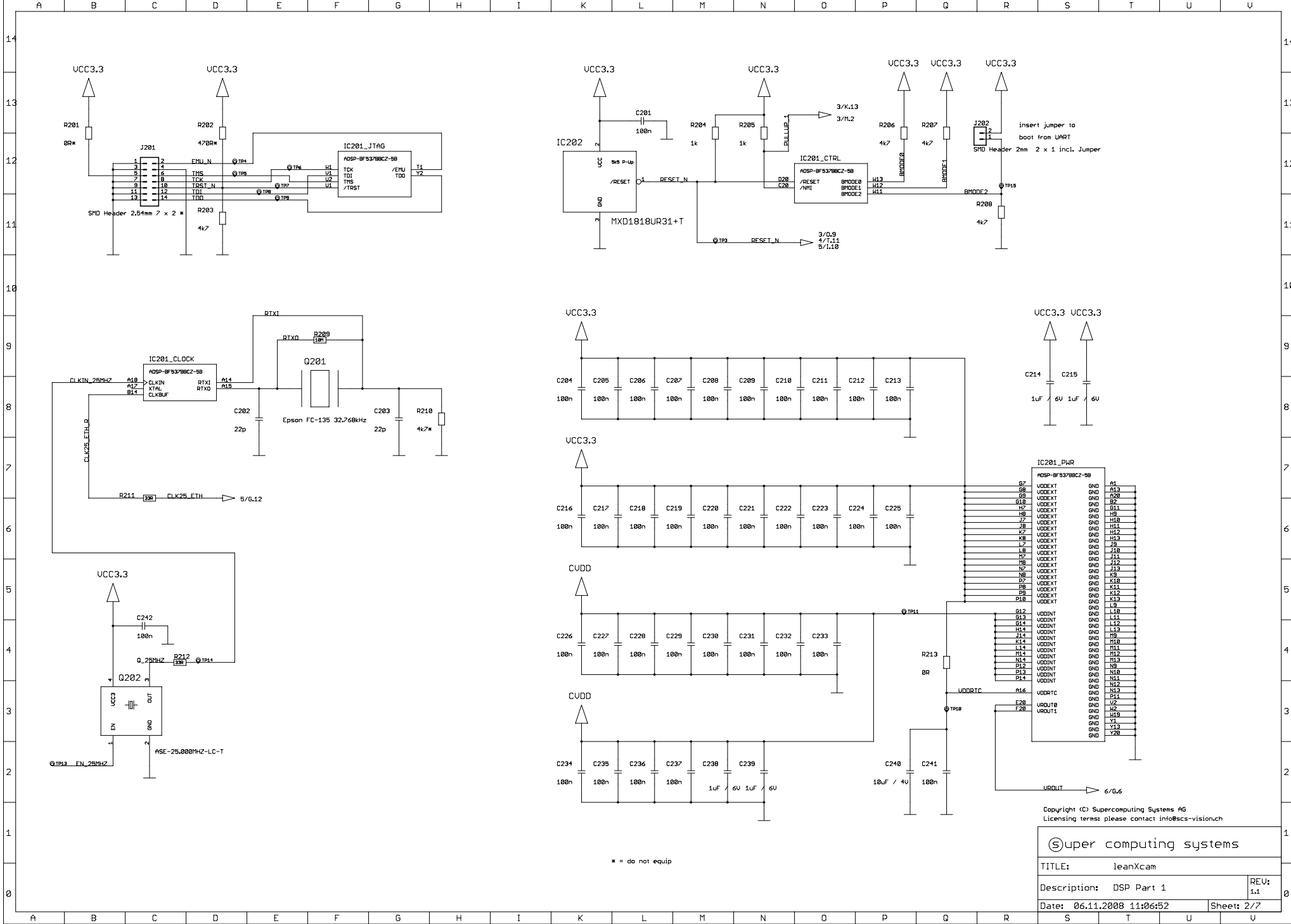
TITLE: leanXcam

Description: Title

REV:
1.1

Date: 06.11.2008 11:06:52

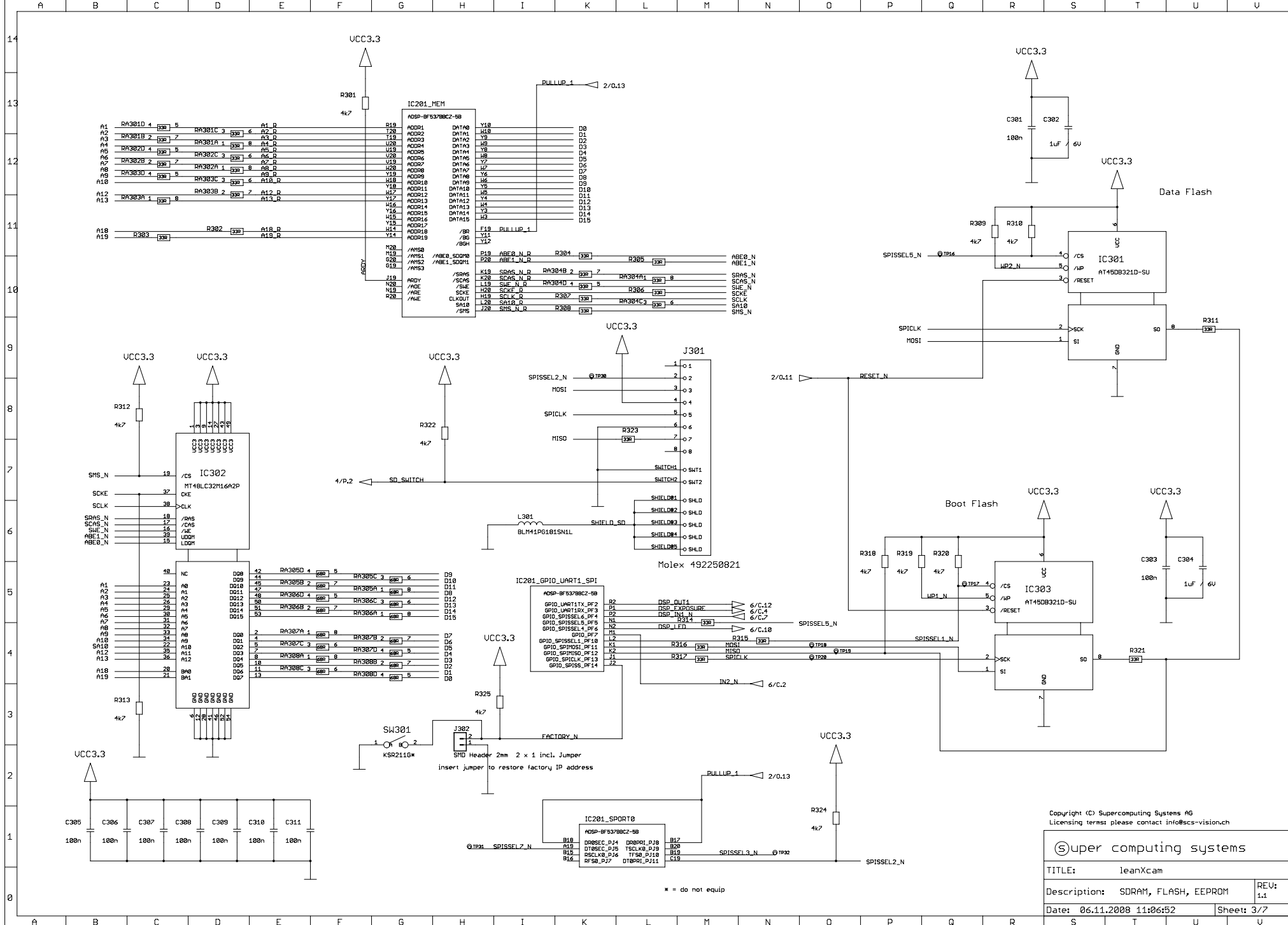
Sheet: 1/7



* = do not equip

Copyright (C) Supercomputing Systems AG
Licensing terms: please contact info@scs-vision.ch

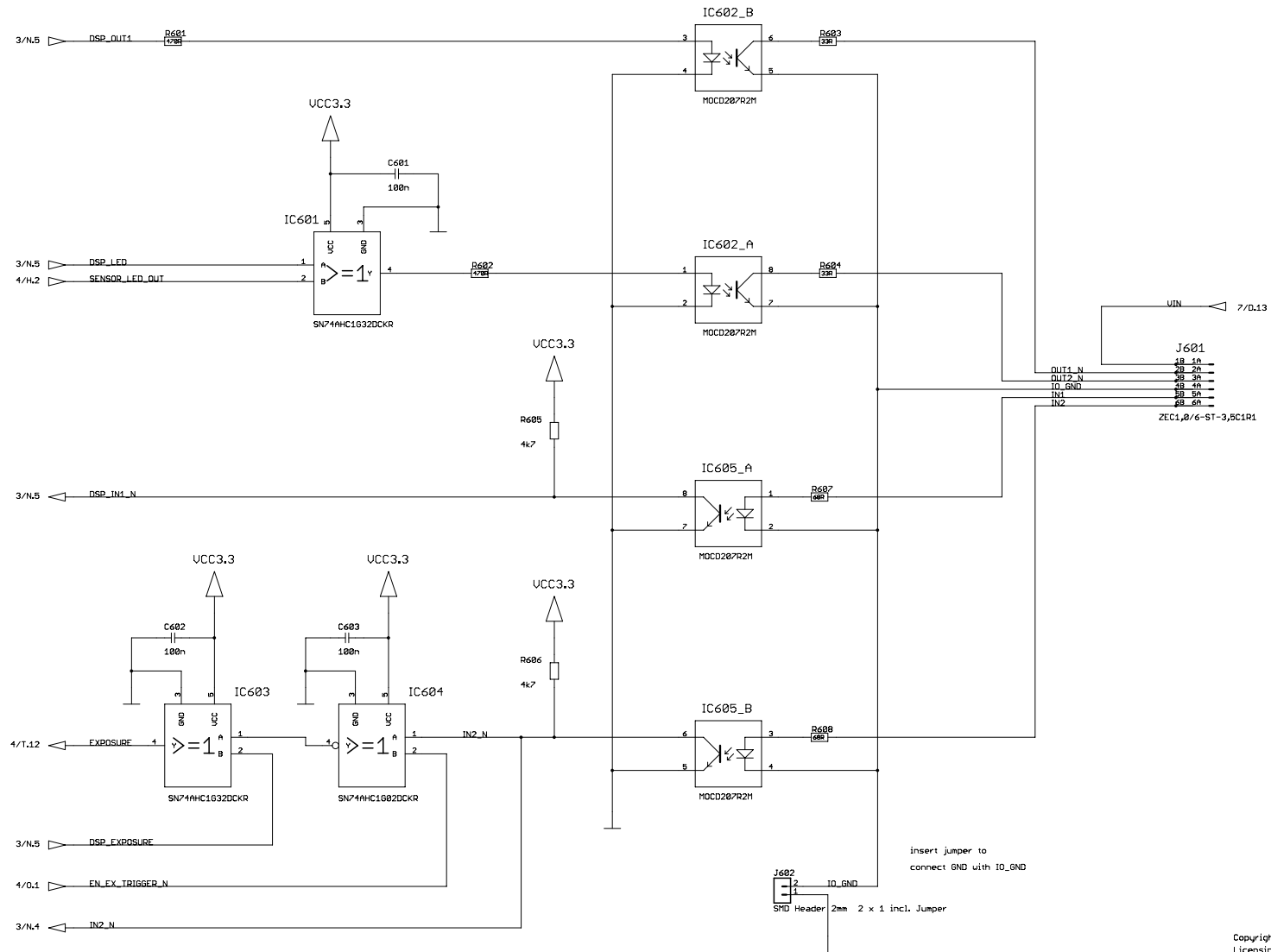
Super computing systems	
TITLE: leanXcam	
Description: DSP Part 1	REV: 1.1
Date: 06.11.2008 11:06:52	Sheet: 2/7



Copyright (C) Supercomputing Systems AG
 Licensing terms: please contact info@scs-vision.ch

Super computing systems	
TITLE: leanXcam	
Description: SDRAM, FLASH, EEPROM	REV: 1.1
Date: 06.11.2008 11:06:52	Sheet: 3/7

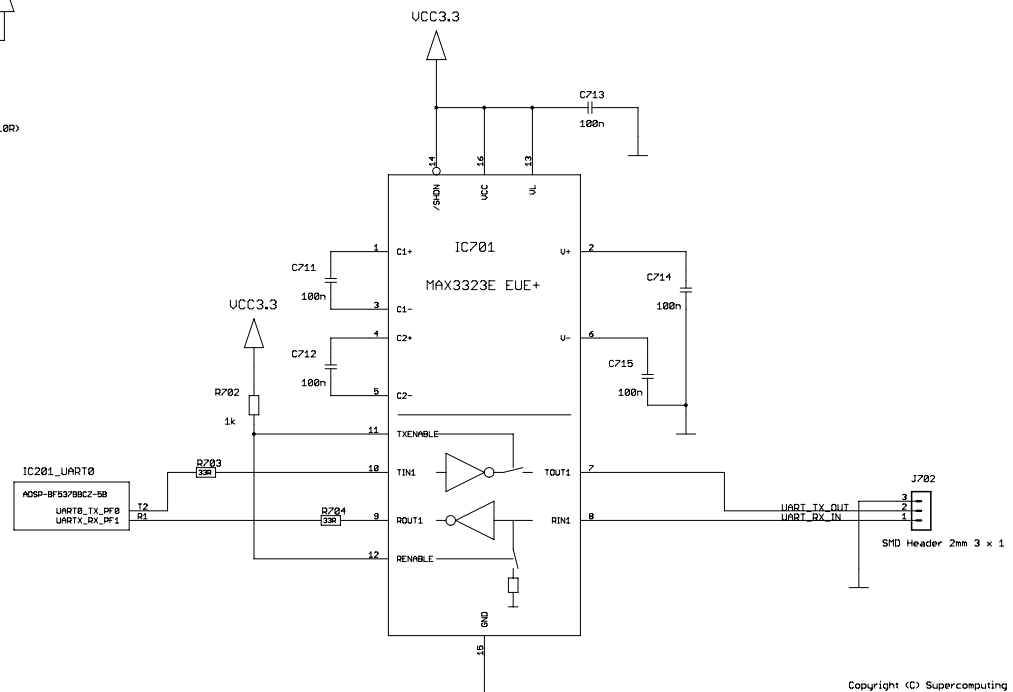
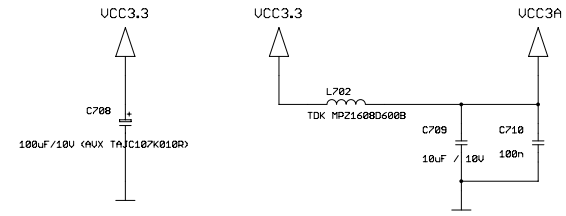
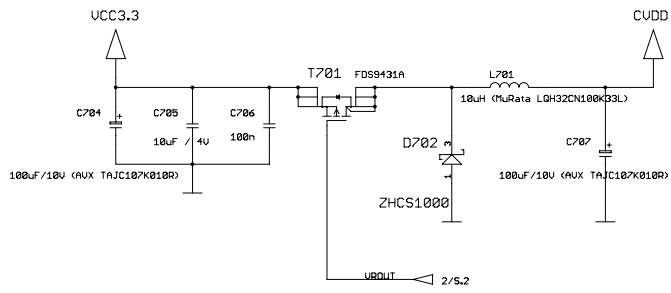
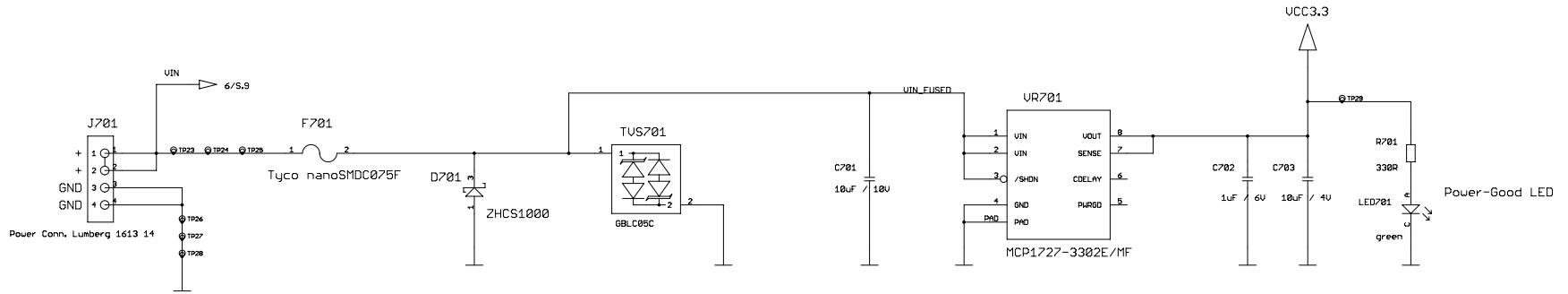
* = do not equip



* = do not equip

Copyright (C) Supercomputing Systems AG
 Licensing terms: please contact info@scs-vision.ch

TITLE: leanXcam	
Description: Digital I/O's	REV: 1.1
Date: 06.11.2008 11:06:52	Sheet: 6/7



* = do not equip

Copyright (C) Supercomputing Systems AG
Licensing terms: please contact info@scs-vision.ch

Super computing systems	
TITLE: leanXcam	
Description: Power Supply, UART	REV: 1.1
Date: 06.11.2008 11:06:52	Sheet: 7/7